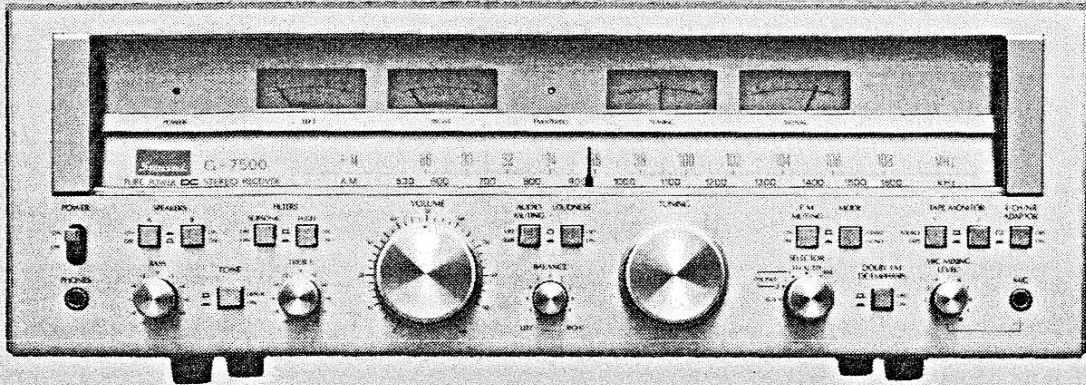


SERVICE MANUAL

PURE POWER DC STEREO RECEIVER

SANSUI G-7500



SANSUI ELECTRIC CO., LTD.

SPECIFICATIONS

Audio section

Power output

Min. RMS, both channels driven, from 20 to 20,000 Hz, with no more than 0.025 % total harmonic distortion.

90 watts per channel into 8 ohms

Load impedance 8 ohms

Total harmonic distortion

. less than 0.025 % at or below rated min. RMS power output

Intermodulation distortion (70 Hz : 7 kHz = 4:1 SMPTE method)

. less than 0.025 % at rated power output

Rise time 1.4 μ sec

Slew rate 60 V/ μ sec

Frequency response (at 1 watt)

Overall (from AUX) . . . 5 to 50,000 Hz +0.2 dB, -2.0 dB

Power amplifier DC to 200 kHz, +0 dB, -3.0 dB

RIAA curve deviation (PHONO, 20 Hz to 20 kHz)

. +0.2 dB, -0.2 dB

Damping factor (20 Hz to 20 kHz, both channels driven)

. 50 into 8 ohms

Input sensitivity and impedance (at 1 kHz)

PHONO-1, 2 2.5 mV/47 kilohms

(Max. input capability: 240 mV at 1 kHz, less than 0.1 % total harmonic distortion.)

MIC 6 mV/10 kilohms

TAPE-1, 2 PLAY, AUX

. 150 mV/47 kilohms

Output level (at 1 kHz)

TAPE-1, 2 REC (pin jacks)

. 150 mV

TAPE-2 REC/PLAY (DIN socket)

. 43 mV

Hum and noise (short-circuit, A-network)

PHONO-1, 2 78 dB

TAPE-1, 2 PLAY, AUX

. 95 dB

Channel separation (at 1 kHz)

PHONO-1, 2 60 dB

TAPE-1, 2 PLAY, AUX

. 65 dB

Controls

BASS \pm 10 dB at 50 Hz

TREBLE \pm 10 dB at 10 kHz

SUBSONIC FILTER . . . -3 dB at 16 Hz (6 dB/oct)

HIGH FILTER -3 dB at 3 kHz (6 dB/oct)

LOUDNESS (VOLUME control: -30 dB position)

. 8 dB at 50 Hz

. 6 dB at 10 kHz

AUDIO MUTING -20 dB

FM section

Tuning range 88 to 108 MHz

Usable sensitivity

Mono IHF 10.3 dBf (1.8 μ V)

DIN 1.0 μ V

Stereo IHF 17 dBf

50 dB quieting sensitivity

Mono 14 dBf

Stereo 36 dBf

Signal to noise ratio (at 65 dBf)

Mono 72 dB

Stereo 68 dB

Distortion (at 65 dBf)

Mono less than 0.15 % at 100 Hz

less than 0.13 % at 1,000 Hz

less than 0.25 % at 6,000 Hz

Stereo less than 0.25 % at 100 Hz

less than 0.18 % at 1,000 Hz

less than 0.25 % at 6,000 Hz

Alternate channel selectivity (at 400 kHz)

. 75 dB

Capture ratio 1.0 dB

Image response ratio . . . 70 dB

Spurious response ratio . 90 dB

IF response ratio 95 dB

Stereo separation 35 dB at 100 Hz

42 dB at 1,000 Hz

30 dB at 10,000 Hz

25 dB from 30 to 15,000 Hz

Frequency response . . . 30 to 15,000 Hz

+0.2 dB, -1.0 dB

Antenna input impedance

. 300 ohms balanced

75 ohms unbalanced

to be continued

Specifications

AM section

Tuning range 530 to 1,600 kHz
 Usable sensitivity (bar antenna)
 50 dB/m (300 μ V/m)
 Selectivity (\pm 10 kHz) . . . 35 dB
 Signal to noise ratio 46 dB
 Distortion (at 30 % Modulation, 80 dB/m)
 less than 0.5 %

Others

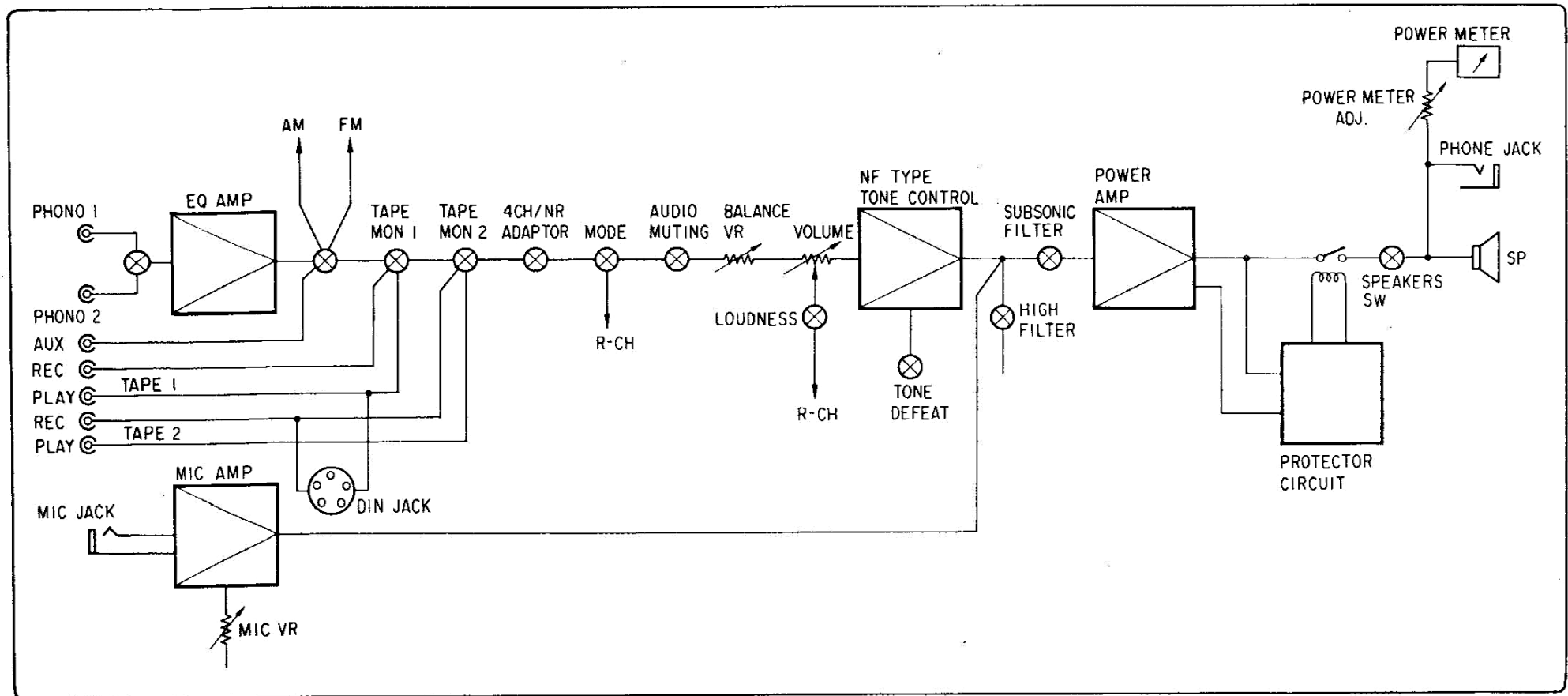
Power requirements
 Power voltage 100, 120, 220, 240 V
 (50/60 Hz)
 For U.S.A. and Canada
 120 V (60 Hz)
 Power consumption
 Rated consumption . . . 285 watts 350 VA

Dimensions 505 mm (19-15/16") W
 182 mm (7-1/8") H
 409 mm (16-1/8") D
 Weight 17.2 kg (37.9 lbs) net
 19.7 kg (43.4 lbs) packed

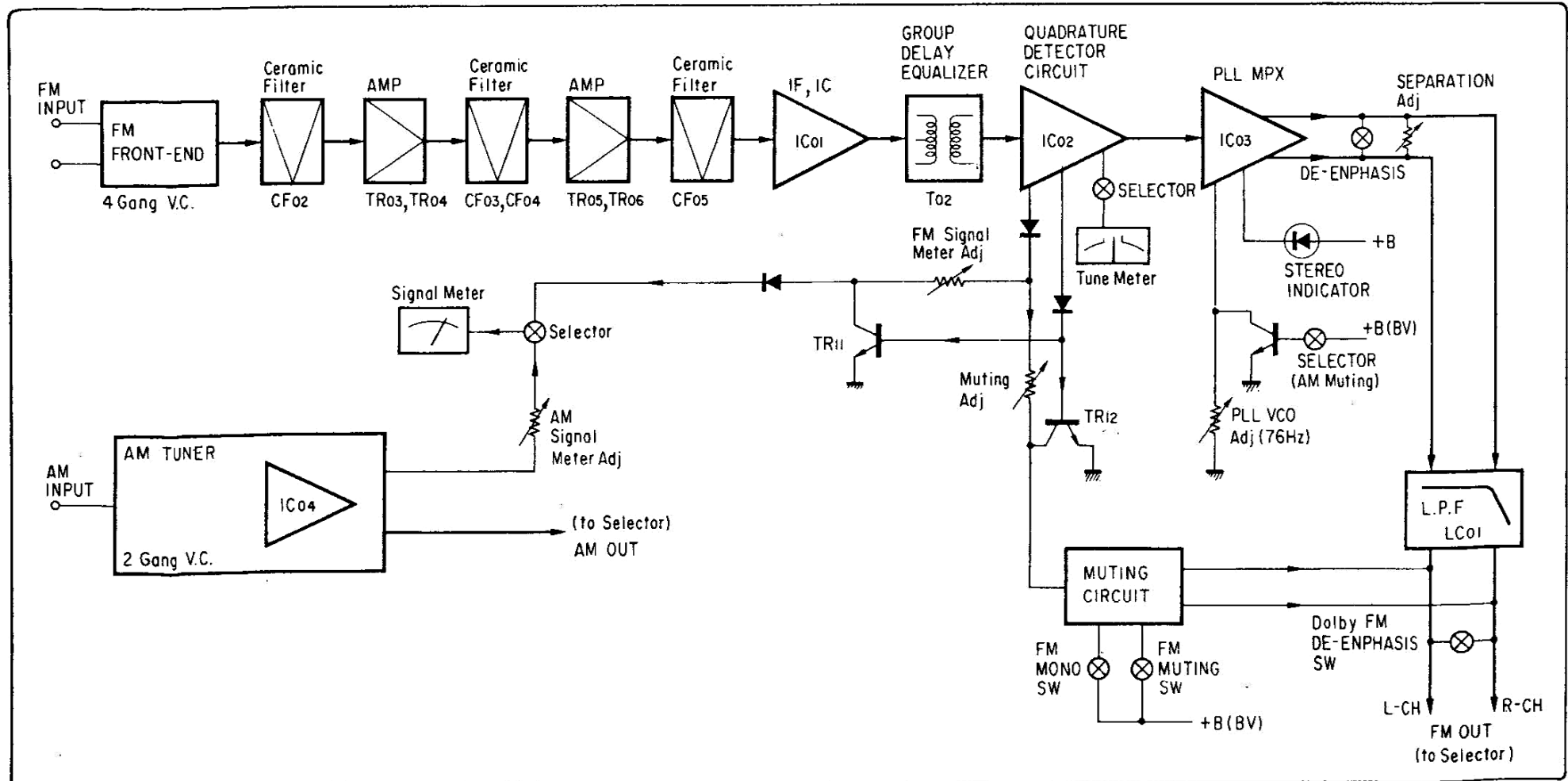
* Design and specifications subject to change without notice for improvements.

1. BLOCK DIAGRAM

1-1. Audio Section

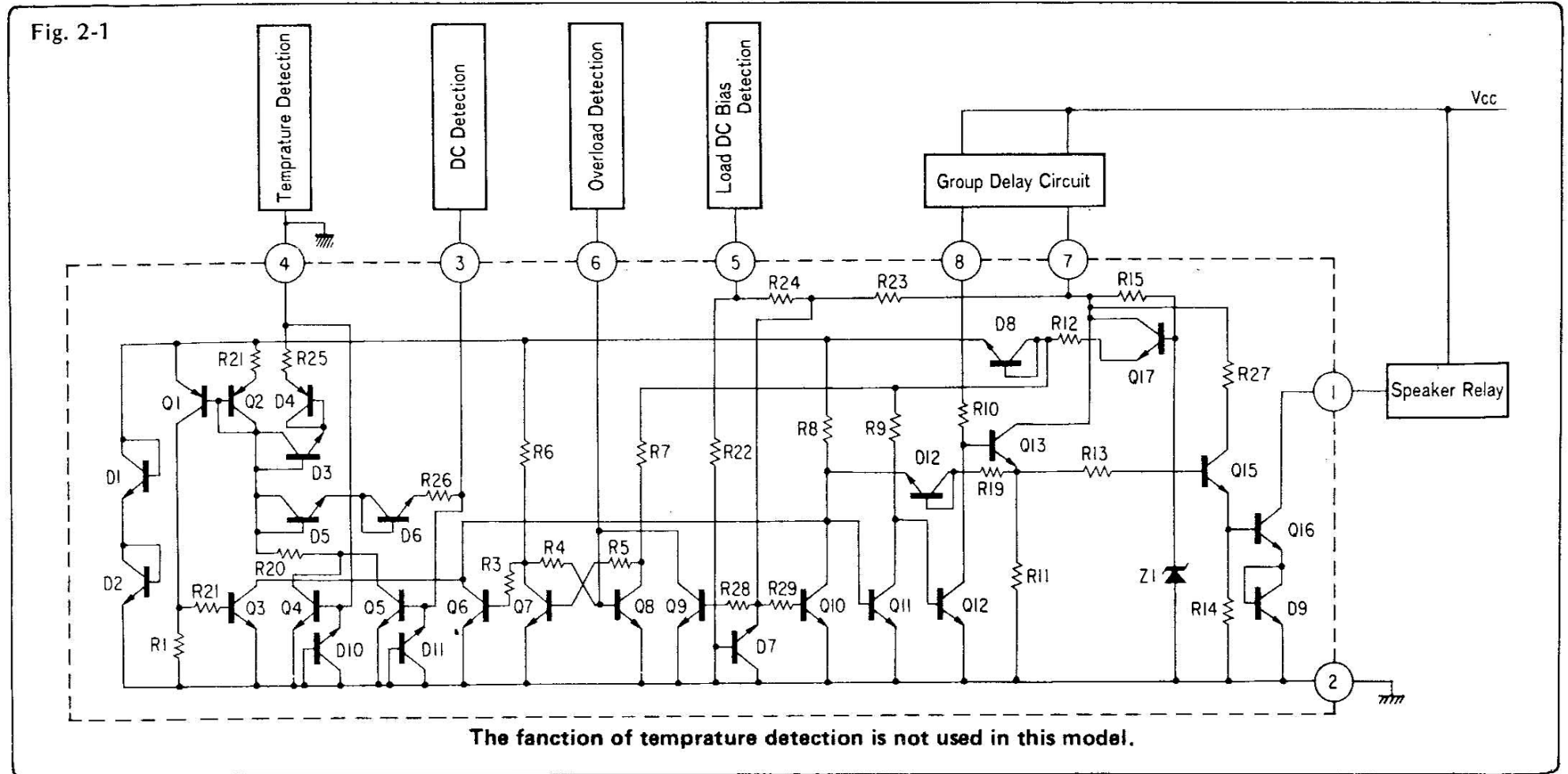


1-2. Tuner Section



2. OPERATION

2-1. Protector Circuit With IC, HA12002



Protector circuit with IC, HA-12002

This protector IC provides the input terminals for detecting \pm DC voltage, Overload, temperature rise, and pop-noise occurred at switching the power, and output terminal for switching the speaker relay. By the function above, when there are any disorder with amplifier, the output is immediately separated from speaker to protect amplifier.

* Prevention against pop-noise at switching the power.

Since the relay RL601 remains OFF for a certain period by the time constant of R611 and C624 when power switch is turned ON, the pop-noise can be eliminated. When turning OFF the power switch, the voltage drop of pin No. 5 is faster than that of Pin No. 7, 8, therefore, the speaker relay turns OFF as soon as power is switched OFF. Resultly, the pop-noise occurred at switching the power OFF is eliminated.

* \pm DC voltage detection

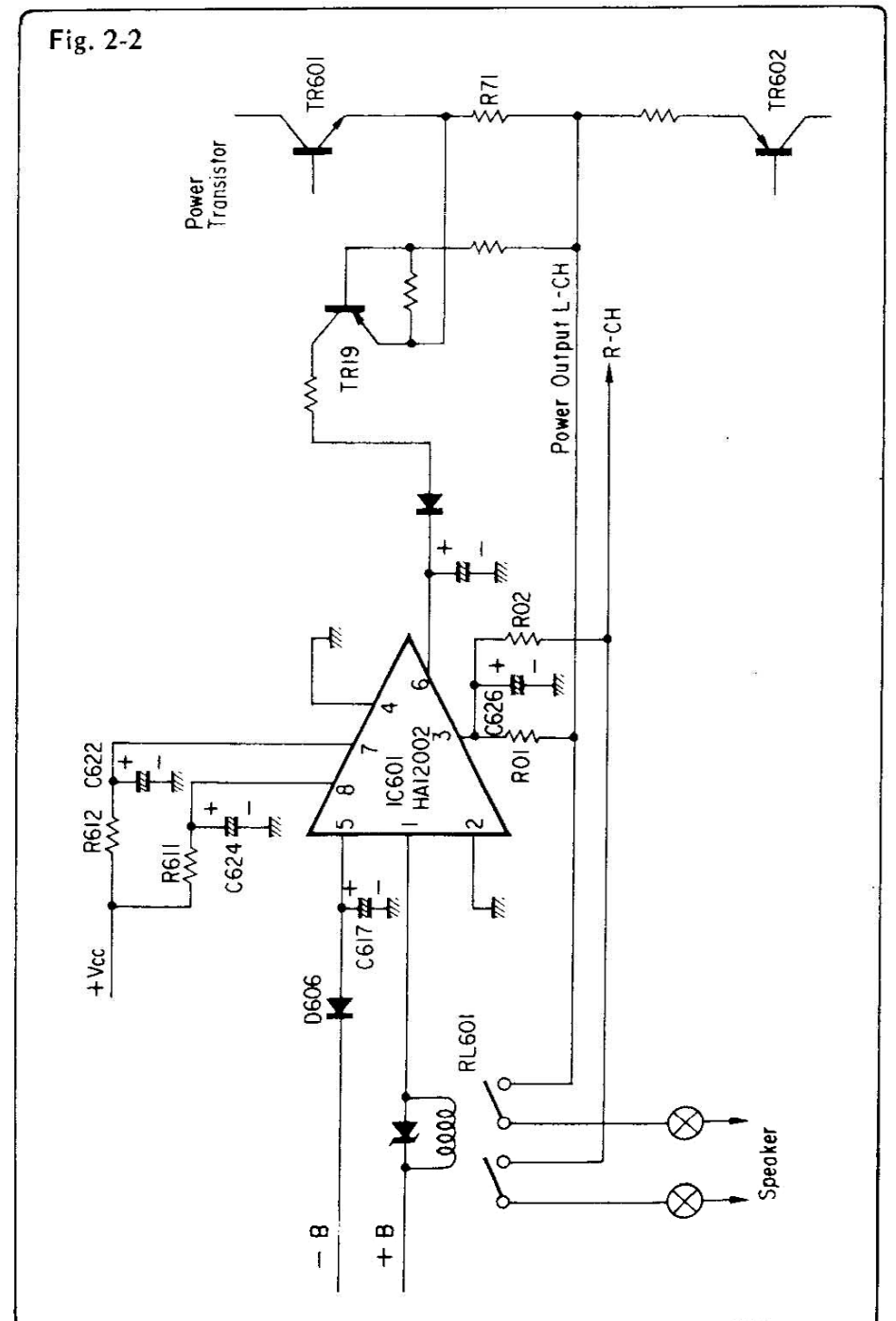
When DC voltage over +1.6V and under -1.86V are applied to pin No. 3 to be its voltage detected by R01, R02, and C626, the speaker relay is turned OFF.

* Detection against overload

When speaker terminal of amplifier is shorted or over loaded, the excessive current flows into emitter resistor R71 of power transistor and makes TR19 ON and if the DC voltage of pin No. 6 rises over +1.4V by above phenomenone, the relay is turned OFF. The relay is kept OFF in spite of the DC voltage being dropped. In order to reset the relay, it is necessary to turn the power switch OFF.

* Detection against temperature rise

As this function is not used in this model, pin No. 4 is grounded.



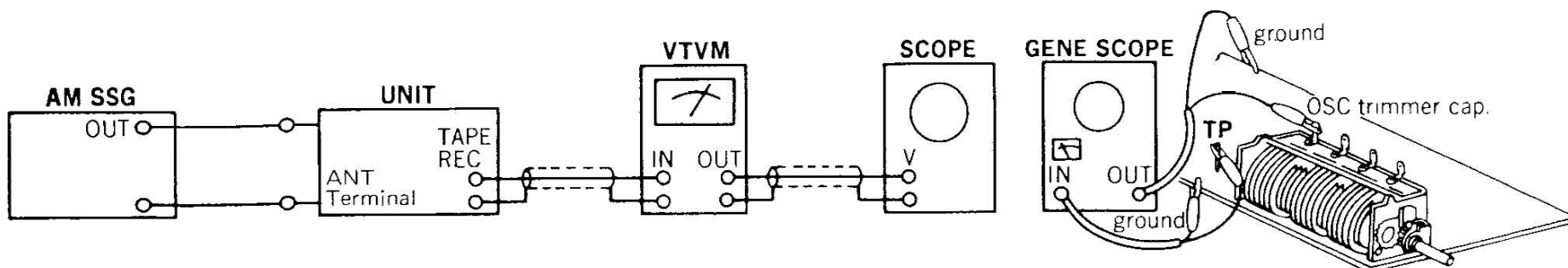
3. ADJUSTMENTS

●Abbreviations

Equipment	
AM FM Generator Oscilloscope	Genescope
AM Standard Signal Generator	AM SSG
FM Standard Signal Generator	FM SSG
FM Stereo Generator	Stereo SG
Oscilloscope	Scope
Audio Oscillator	Audio Osc.
Distortion Meter	Dist. Meter
Others	
Clockwise	CW.
Counterclockwise	CCW.
Antenna	ANT.
Modulation	MOD.

3-1. AM IF, RF Adjustment & Dial Calibration (See Fig. 3-1 on page 5)

- Note: 1. Selector AM
 2. Confirm start point of dial pointer before alignment.

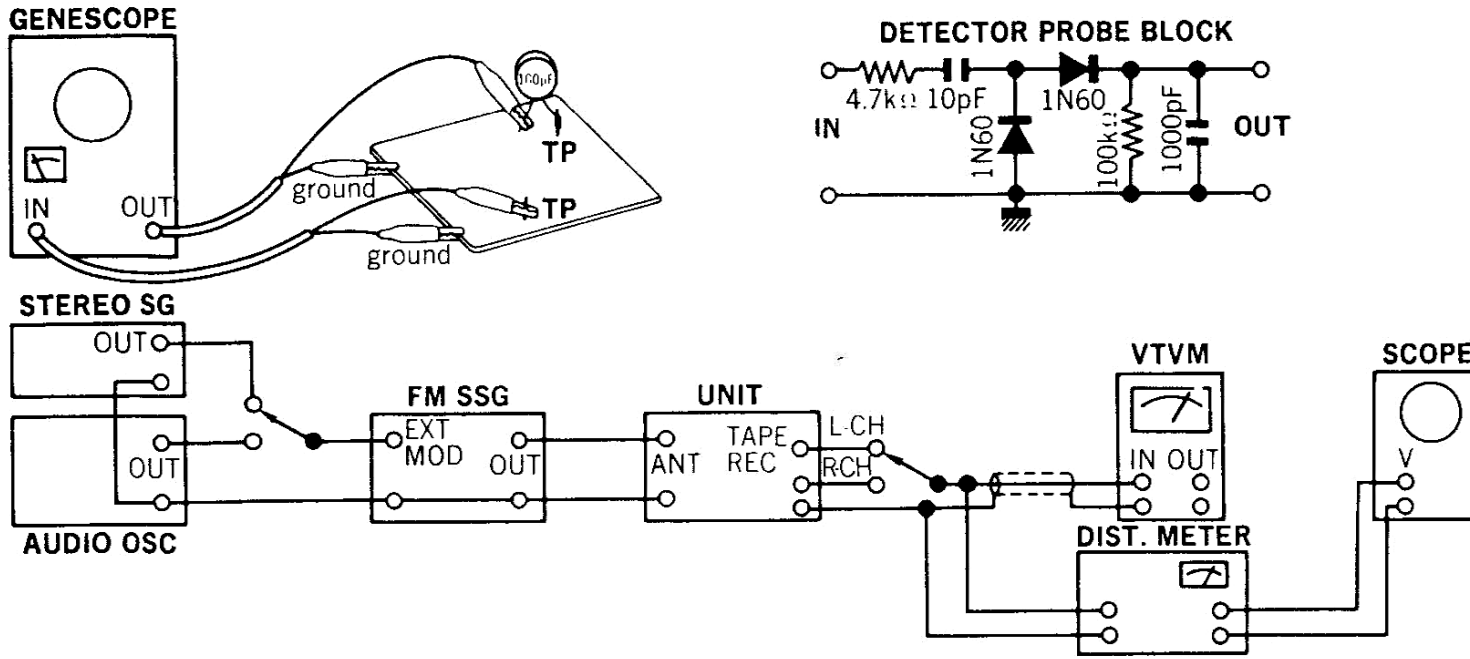


STEP	SUBJECT	FEED SIGNAL		MEASURE OUTPUT	ADJUST	ADJUST FOR	REMARKS
		FROM	TO				
1.	IF Coil	Genescope Output 45 dB	VT01b F-2614	TP6 F-2614	T06, T07 F-2614	Max. IF waveform	
2.	600 kHz Dial Calibration	600 kHz ANT Input 60 dB 400 Hz (MOD 30%) AM SSG	AM ANT terminal	REC OUT L or R-CH VTVM & Scope	L13 F-2614	Max. Output	
	1400 kHz Dial Calibration	1400 kHz ANT Input 60 dB 400 Hz (MOD 30%) AM SSG	Same as above	Same as above	VT01d F-2614	Same as above	
3.	600 kHz RF Adj.	600 kHz ANT Input 60 dB 400 Hz (MOD 30%) AM SSG	Same as above	Same as above	L702 Bar Antenna	Same as above	
	1400 kHz RF Adj.	1400 kHz ANT Input 60 dB 400 Hz (MOD 30%) AM SSG	Same as above	Same as above	VT01b F-2614	Same as above	
4.	Signal Meter volume	1000 kHz ANT Input 76 dB 400 Hz (MOD 30%) AM SSG	Same as above	Signal Meter	VR05 F-2614	4.3 on meter	

3-2. FM Adjustment (See Fig. 3-1 on page 5)

- Note: 1. Selector FM AUTO
 2. FM Muting Switch OFF

3. Connect the output of genescopes to TP through 100 pF ceramic capacitor.



(1) FM IF, RF Adjustment & Dial Calibration

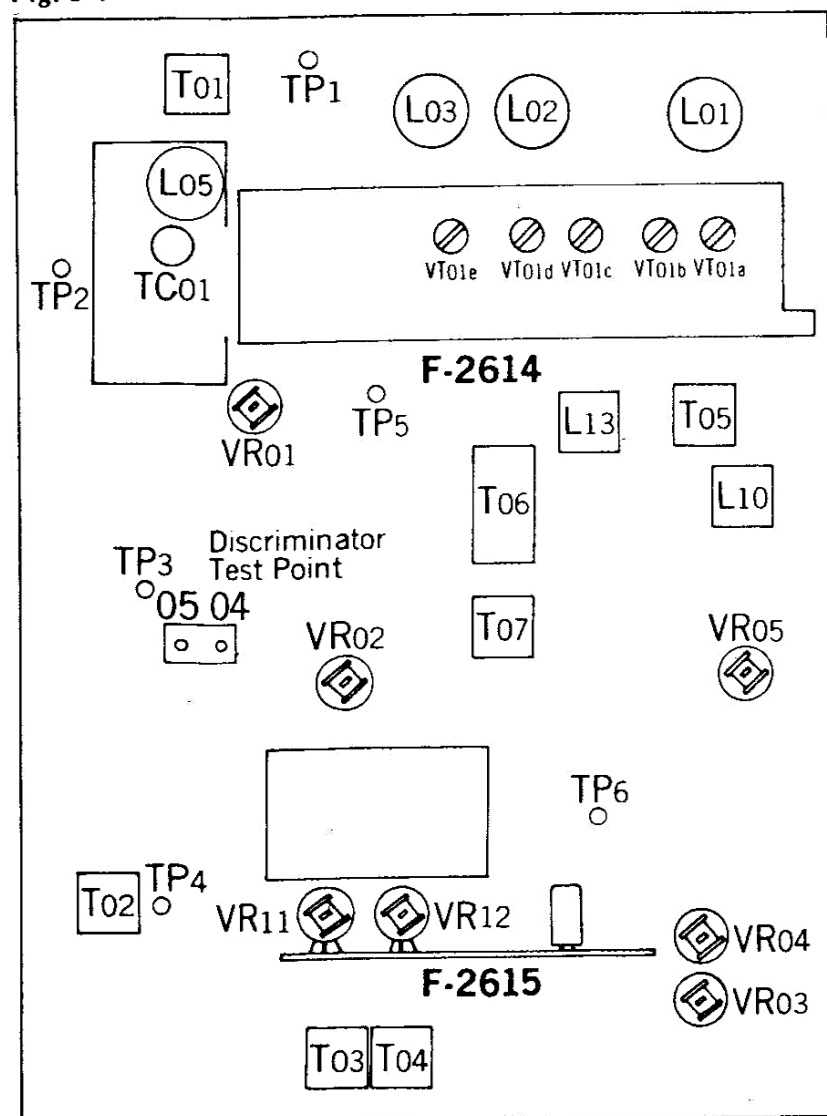
STEP	SUBJECT	FEED SIGNAL		MEASURE OUTPUT	ADJUST	ADJUST FOR	REMARKS
		FROM	TO				
1.	IF Coil	Output 90 dB Genescopes	TP1 F-2614	TP3 F-2614 Use Detector Probe	T01 F-2614	Max. IF waveform	
		Output 80 dB Genescopes	Same as above	TP4 F-2614 Use Detector Probe	T02 F-2614	Same as above	
2.	Discriminator Coil	Output 50 dB Genescopes	Same as above	TM04 (Pin Ass'y) F-2614	T03	Center indication on tune meter	
						Max. linearity of S curve	
3.	90 MHz Dial Calibration	90 MHz ANT Input 40 dBf (34.8 dB) 1 kHz (100% MOD) FM SSG	ANT terminal 300Ω	REC OUT L or R-CH VTVM & Scope	L05 F-2614	Max. Output	
	106 MHz Dial Calibration	106 MHz ANT Input 40 dBf (34.8 dB) 1 kHz (100% MOD) FM SSG	Same as above	Same as above	TC01 F-2614	Same as above	
4.	90 MHz RF Adj.	90 MHz ANT Input 30 dBf (24.8 dB) 1 kHz (100% MOD) FM SSG	Same as above	Same as above	L01, L02, L03 F-2614	Same as above	
	106 MHz RF Adj.	106 MHz ANT Input 30 dBf (24.8 dB) 1 kHz (100% MOD) FM SSG	Same as above	Same as above	VT01a, VT01c, VT01e F-2614	Same as above	
5.	Signal Meter Volume	98 MHz ANT Input 105 dBf (99.8 dB) 1 kHz (100% MOD) FM SSG	Same as above	Signal Meter	VR11 F-2615	4.7 on Meter	

(2) FM STEREO Adjustment

STEP	SUBJECT	FEED SIGNAL		MEASURE OUTPUT	ADJUST	ADJUST FOR	REMARKS
		FROM	TO				
1.	PLL VCO Adj.	98 MHz ANT Input 65 dBf (59.8 dB) FM SSG Pilot 19 kHz (9% MOD) SUB 1 kHz + Pilot (100% MOD) STEREO SG	ANT terminal 300Ω	Stereo indicator	VR01 F-2614	Light indicator	Adjust the VR within center of lighting level.
	PLL VCO Adj. In case of using Freq. counter.	98 MHz ANT Input 65 dBf (59.8 dB) FM SSG (no MOD)	Same as above	TP5 F-2614 Use Freq. counter	VR01 F-2614	76 kHz ±200 Hz	For this adjustment, run the unit more than 30 seconds.
2.	Separation	98 MHz ANT Input 65 dBf (59.8 dB) FM SSG Pilot 19 kHz (9% MOD) R Mode 1 kHz + Pilot (100% MOD) STEREO SG	ANT terminal 300Ω	REC OUT L-CH VTVM & Scope	VR02 F-2614	Min. Output -40 dB	Confirm separation L-CH → R-CH -40 dB
3.	Muting level & indicator level	98 MHz ANT Input 23 dBf (17.8 dB) FM SSG Pilot 19 kHz (9% MOD) SUB 1 kHz + Pilot (100% MOD) STEREO SG	Same as above	Stereo indicator	VR12 F-2615	Muting level 23 dBf (17.8 dB) Indicator lighting level 23 dBf (17.8 dB)	

● Adjusting or Connecting Points on AM, FM & FM MPX circuit board, F-2614 & F-2615

Fig. 3-1



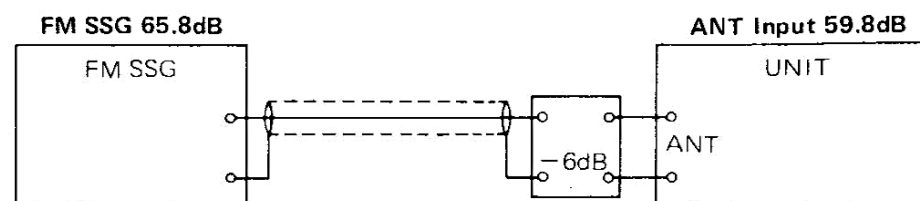
● NEW MEASUREMENT FOR FM.

Input signal level under the provision of IHFM-T-200, a new measurement method is indicated by available power ratio "dBf". To obtain approximate available power ratio "dBf", abstract 0.8 from attenuator indication of general FMSSG (open load indication type); however, the former measurement, IHFM-T-100 is designated together too.

The way of modulation on IHFM-T-200 is shown below.

	modulation frequency	modulation mode	modulation factor
FM MONO	1000 Hz		100%
FM STEREO	1000 Hz	SUB	Pilot 9% Pilot + SUB 100%

- The relation between the standard input 65 dBf of IHFM-T-200 and the former indication "dB" is shown below.



3-3. Audio Section

(1) Driver Circuit Board Adjustments (See Fig. 3-2 & 3-4)

Note: 1. Master Volume Minimum

2. For adjustment, run the unit for more than 3 minutes after the power is switched on.

STEP	SUBJECT	EQUIPMENT	MEASURE OUTPUT	ADJUST	ADJUST FOR	REMARKS
1.	DC 0V L-CH	DC Volt Meter Fig. 3-4	Speaker Terminal	VR01 F-2980	DC 0V ±5mV	○ Before turning ON power switch, set VR01 and VR02 to center position.
2.	DC 0V R-CH	Same as above Fig. 3-4	Same as above	VR02 F-2980	DC 0V ±5mV	
3.	Bias Current L-CH	Same as above Fig. 3-2	Points between emitters of TR601 and TR602 F-2981	VR03 F-2980	DC 10mV ±1mV	○ By turning VR03 and VR04 clockwise, the bias current is decreased gradually.
4.	Bias Current R-CH	Same as above Fig. 3-2	Points between emitters of TR601 and TR602 F-2981	VR04 F-2980	DC 10mV ±1mV	

(2) Power Meter Adjustments (See Fig. 2-3)

Note: 1. Master Volume Maximum

2. For this adjustment, run the unit for more than 2 minutes after turning on the power switch.

AUDIO OSCILLATOR		OUTPUT TERMINAL	ADJUST	ADJUST FOR
OUTPUT	CONNECTING POINT			
At 1 kHz Sine wave, set the amplifier-output to 20V on both channels by adjusting Audio Osc.-output level	Input terminal of Amplifier	Speaker terminal 8Ω VTVM Scope	VR01 (L-CH) VR02 (R-CH) on F-2860	Set the point of power meter to 50W on both channels

Fig. 3-2

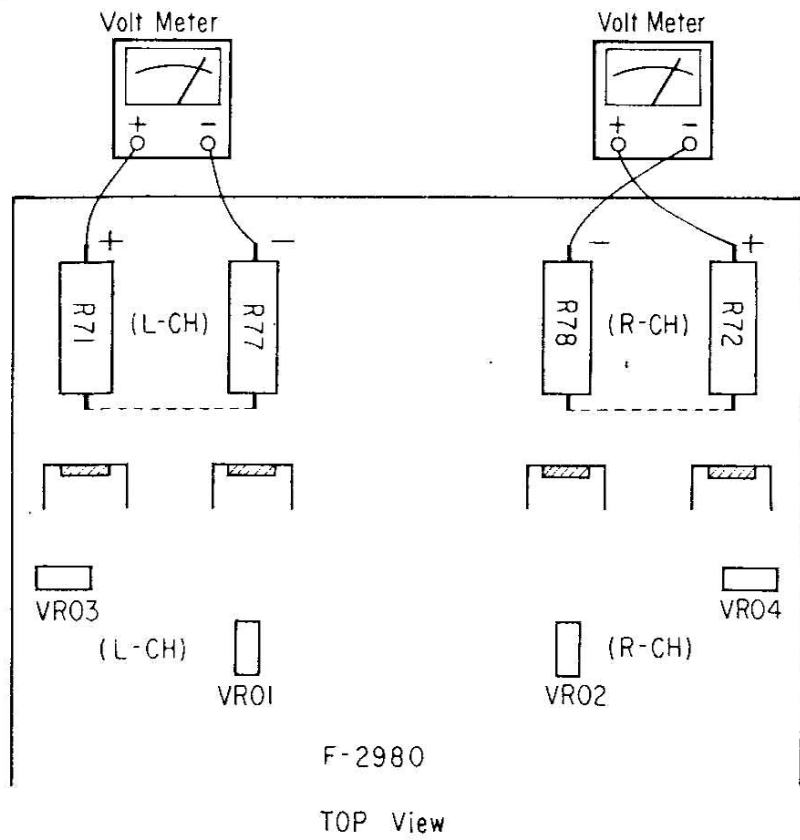


Fig. 3-3

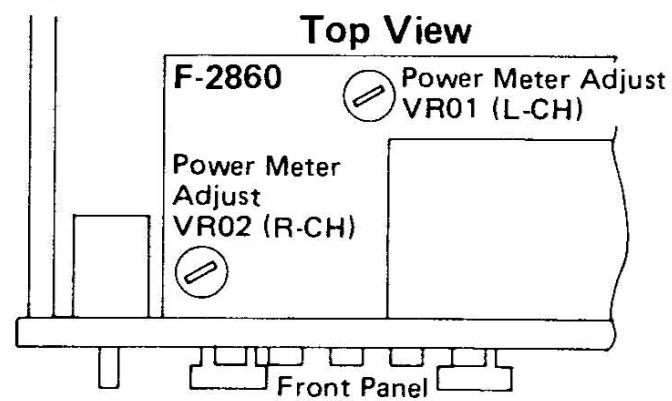
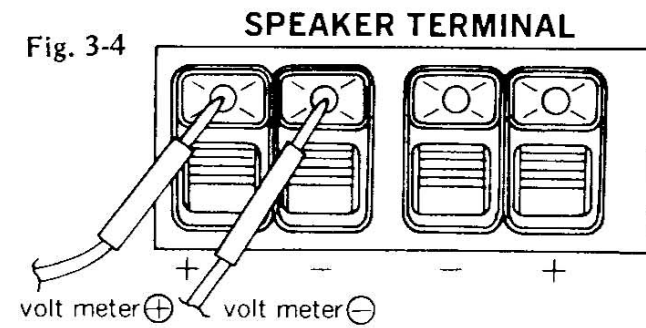


Fig. 3-4

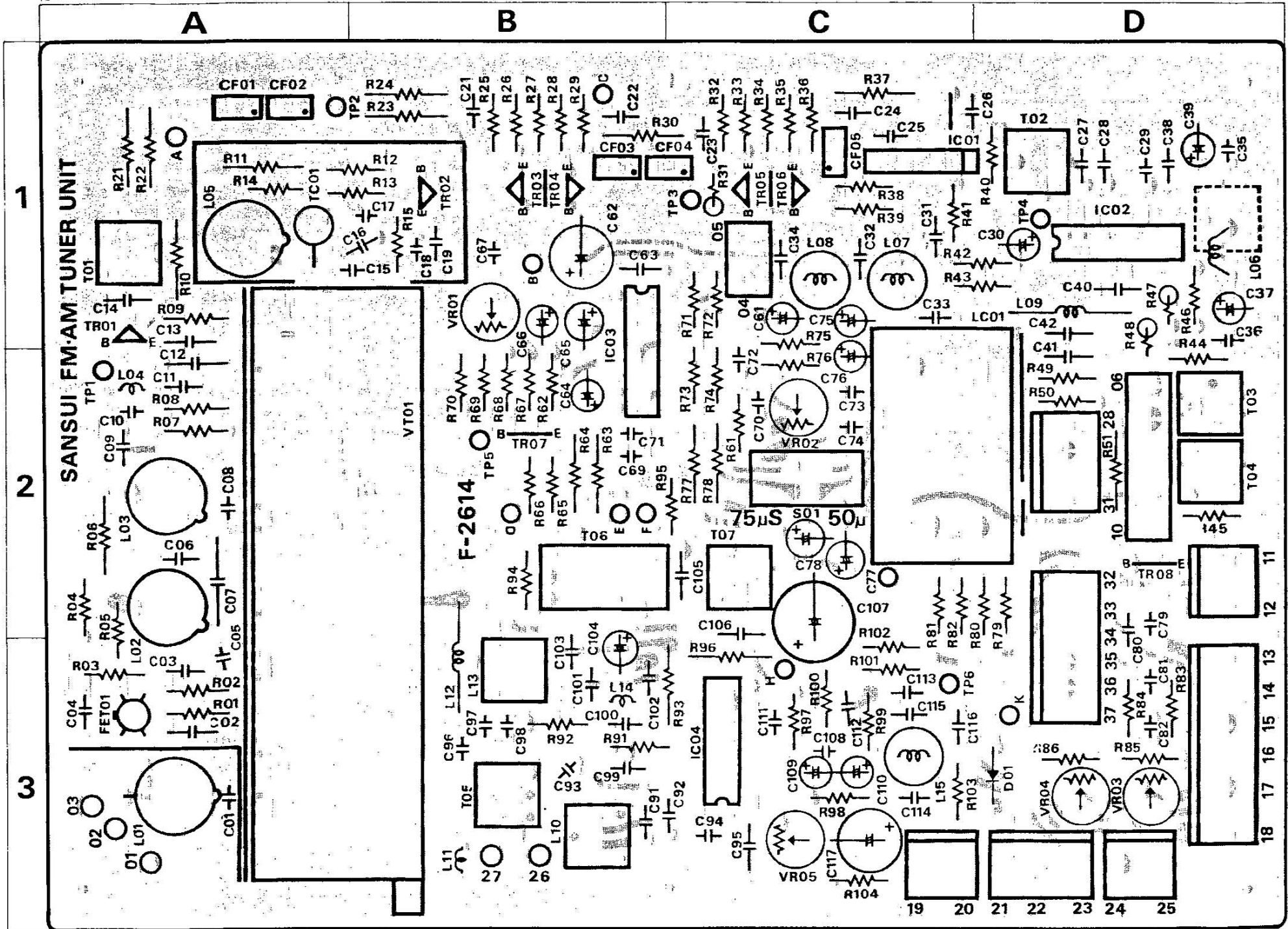


4. PARTS LOCATION & PARTS LIST

* Since some of capacitors and resistors are omitted from parts lists in this Service Manual, refer to the Common Parts List for capacitors & resistors which was appended previously to each Sansui Manual.

4-1. F-2614 RF Circuit Board (Stock No. 7522091)

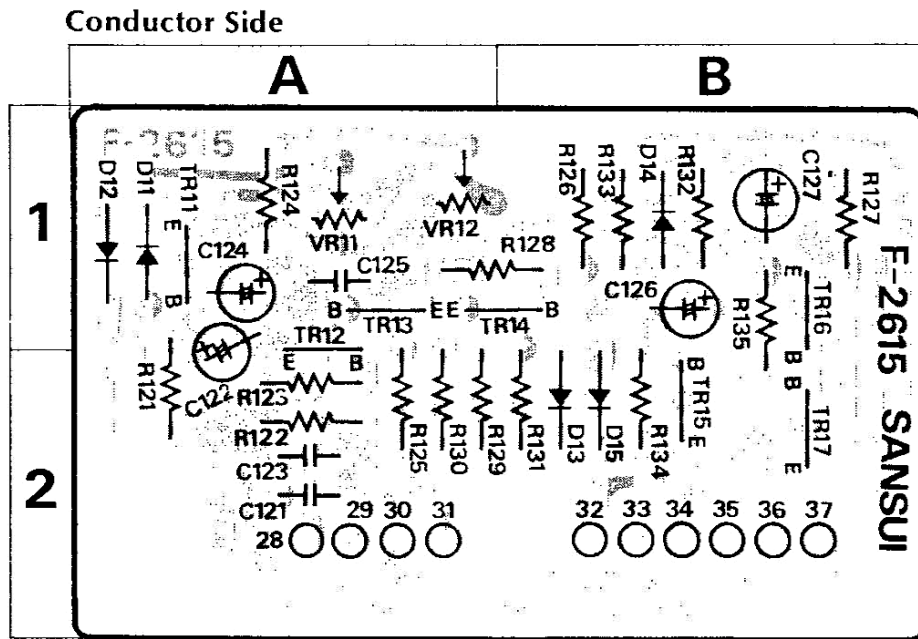
Conductor Side



Parts List

Parts No.	Stock No.	Description	Position	Parts No.	Stock No.	Description	Position	Parts No.	Stock No.	Description	Position
•Transistors											
TR01	0305801, 2	2SC1047 B, C	1A	C 16	0669295	10pF 50V C.C.	1B	T 02	4235930	10.7MHz IF Coil	2D
TR02	0305801, 2	2SC1047 B, C	1B	C 17	0669295	10pF 50V C.C.	1B	T 03	4235990, 1	FM IFT 10.7MHz	
TR03	0306341, 2	2SC1674 K, L	1B	C 18	0669295	10pF 50V C.C.	1D	T 04	4236000, 1	IF Coil 10.7MHz	2D
TR04	0306341, 2	2SC1674 K, L	1B	C 29	0661330	33pF 50V C.C.	1B	T 06	0910280	Ceramic Filter 455kHz	2B
TR05	0306341, 2	2SC1674 K, L	1C	C 65	0573159	1.5μF 35V T.C.	1B	T 07	4230620	IF Coil 455kHz	2C
TR06	0306341, 2	2SC1674 K, L	1C	C 67	0629005	360pF 50V P.C.	2C	CF 02	0910420	Ceramic Filter 10.7MHz	1A
TR07	0305731, 2	2SC711 E, F		C 73	0620561	560pF 50V P.C.	3B	CF 03	0910420	Ceramic Filter 10.7MHz	1B
	0305951, 2	2SC945 Q, R	2B	C 74	0620561	560pF 50V P.C.	3B	CF 04	0910420	Ceramic Filter 10.7MHz	1B, C
•ICs											
IC 01	0360120	μPC555H	1C	C 96	0669400	15pF 50V C.C.	3B	CF 05	0910420	Ceramic Filter 10.7MHz	1C
IC 02	0360350	HA1137W	1B	C 97	0669400	15pF 50V C.C.	3B	LC 01	0910360	Low Pass Filter	2C
IC 03	0360320	HA1196	1, 2B	C 98	0620361	360pF 50V P.C.		VR 01	1034250	4.7kΩ B PLL VCO Adjust Volume	1B
IC 04	0360800	LA1240	3C	R 63	0200471	470Ω 1/2W N.I.R.		VR 02	1035190	100kΩ B MPX Separation Volume	2C
•FET											
FET01	0370120, 1	3SK41 K, L	3A	L 01	4200720	Antenna Coil	2, 3A	VR 05	1035110	4.7kΩ B AM Signal Meter Adjust Volume	3C
•Diode											
D 02	0311160	1S2473D		L 02	4210340	RF Coil	2A	S 01	1110270	De-emphasis Switch	
	0311180	1S1588		L 03	4210340	RF Coil	2A	VT 01	1220260	AM-FM Variable Capacitor	2B
C 01	0669325	15pF 50V C.C.	3A	L 04	4900140	1μH Inductor	1A	TC 01	1230090	Trimmer Capacitor	1A
C 05	0669325	15pF 50V C.C.	2A	L 05	4220400	OSC Coil	1D		2410570	5P Pin Ass'y Type D	
C 08	0669325	15pF 50V C.C.	2A	L 06	4290300	Inductor	1C		2410850	4P Pin Ass'y Type B	
C 09	0669210	10pF 50V C.C.	2A	L 07	4900250	8.2μH Inductor	1C		2410860	6P Pin Ass'y Type B	
C 12	0679008	1pF 500V Gimme Capacitor	1A, B	L 08	4900240	6.8μH Inductor	1D		2410950	6P Pin Ass'y Type C	
C 15	0669330	20pF 50V C.C.	1A, B	L 09	4290011	Choke Coil	3B				
				L 11	4900100	3.3μH Inductor	2, 3B				
				L 12	4290011	Choke Coil					
				L 13	4220650	OSC Coil	3B				
				L 14	4900110	100μH Inductor					
				L 16	4900100	3.3μH Inductor					
				T 01	4235930	10.7MHz IF Coil	1D				

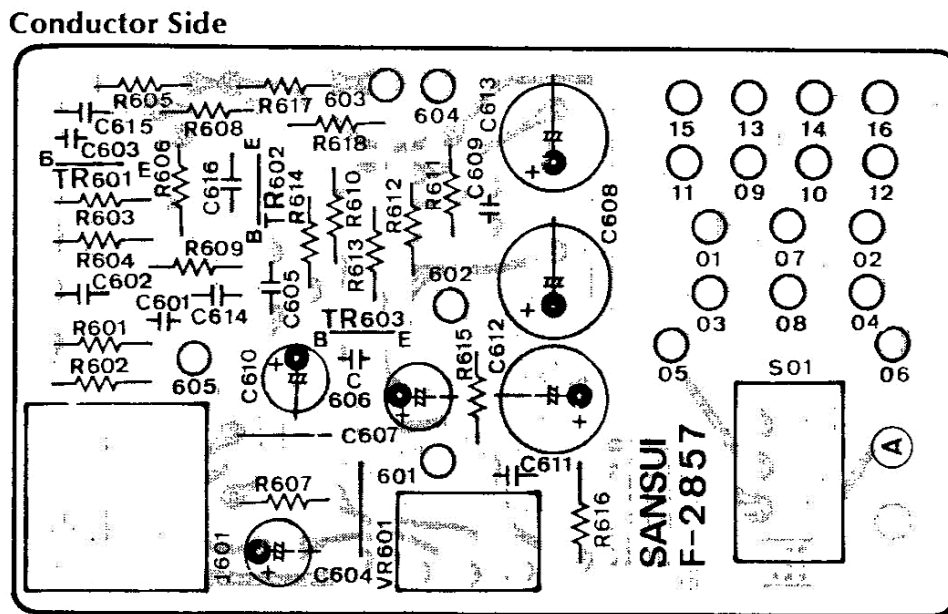
4-2. F-2615 FM Muting Circuit Board (Stock No. 7522101)



Parts List

Parts No.	Stock No.	Description	Position
●Transistors			
TR11	0306390, 1	2SC1636-1, 2	1A
TR12	0305731, 2	2SC711 E, F	1A
TR13	0305731, 2	2SC711 E, F	1A
TR14	0305951, 2	2SC945 P, Q	1B
TR15	0305731, 2	2SC711 E, F	1B
TR16	0305951, 2	2SC945 P, Q	1B
TR17	0300510, 1	2SA733A P, Q	2B
TR18	0306390	2SC1636-1	1B
TR19	0306390	2SC1636-1	2B
●Diodes			
D 11	0311160	1S2473D	1A
D 12	0311180	1S1588	1A
D 13	0311160	1S2473D	1A
D 14	0311180	1S1588	1A
D 15	0311160	1S2473D	2B
D 16	0311180	1S1588	2B
D 17	0311160	1S2473D	2B
D 18	0311180	1S1588	2B
VR11	1035410	47kΩ B, FM Signal	1A
VR12	1035430	100kΩ B, FM Muting	1A
	2420510	4P Connector Ass'y Type B	
	2420520	6P Connector Ass'y Type A	

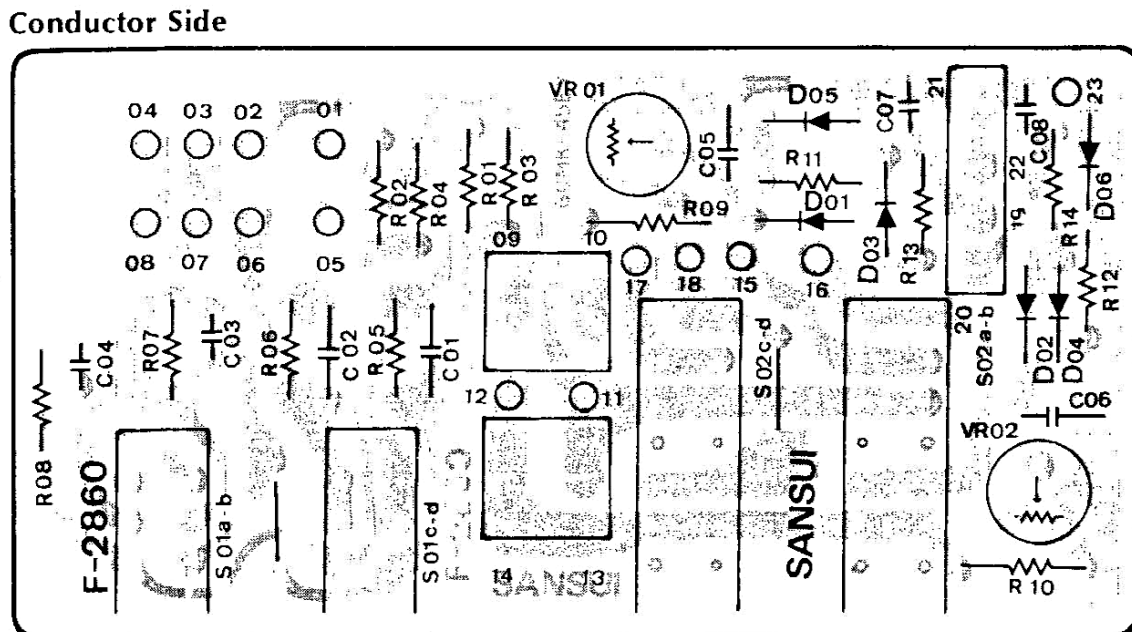
4-3. F-2857 MIC AMP. Circuit Board (Stock No. 7610411)



Parts List

Parts No.	Stock No.	Description
●Transistors		
TR601	0306070, 1	2SC1313 F, G
TR602	0300470	2SA726 (W) F
TR603	0306740, 1	2SC1845 F, E
C 609	0620681	680pF 50V P.C.
R 617	0191470	47Ω 1/4W F.R.
R 618	0191470	47Ω 1/4W F.R.
VR601	1090270, 1	Mic Volume
S 01	1131620, 1	Dolby FM De-emphasis Switch
J 601	2430400	Mic Jack

4-4. F-2860 Speaker Switch Circuit Board (Stock No. 7597181)

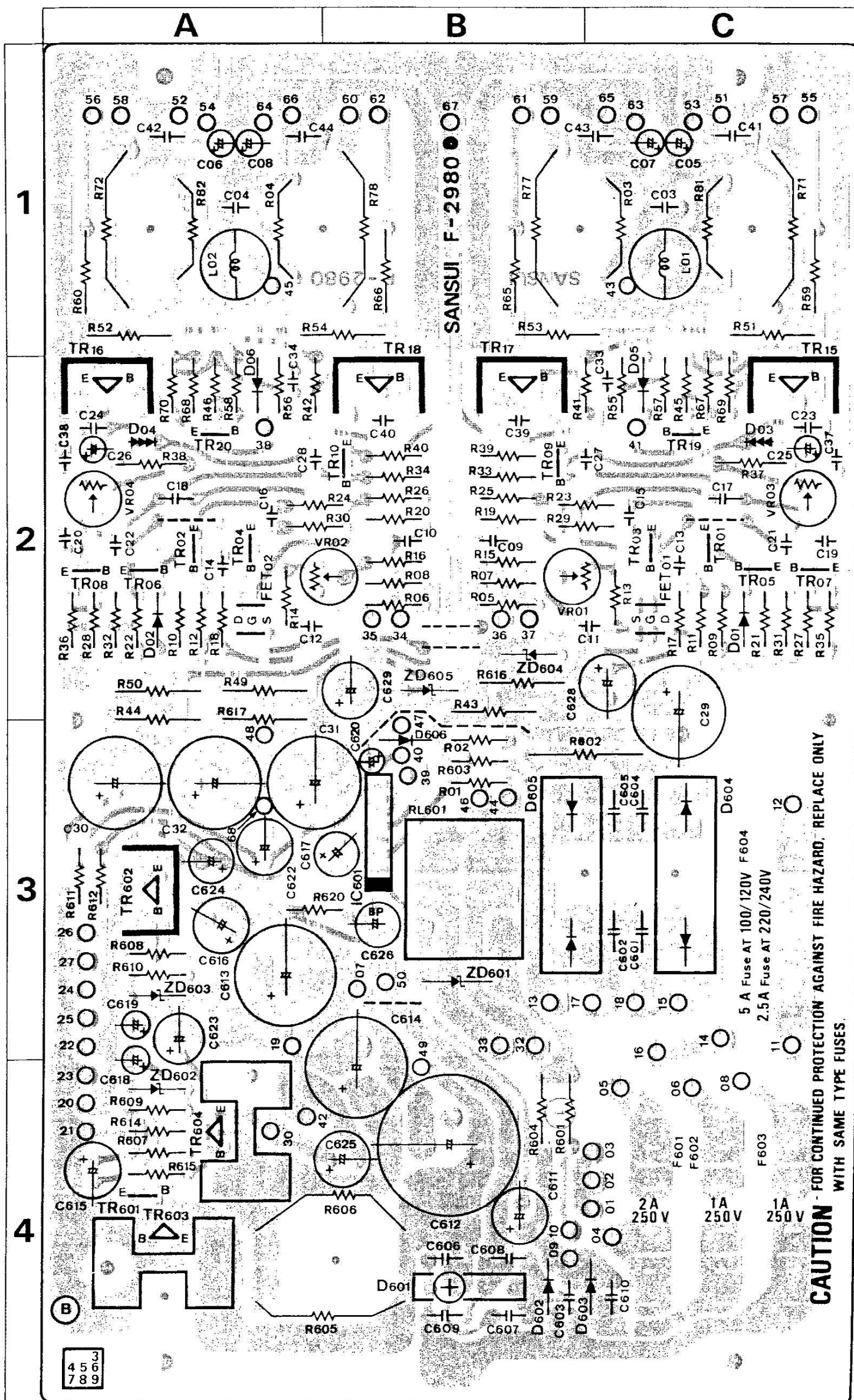


Parts List

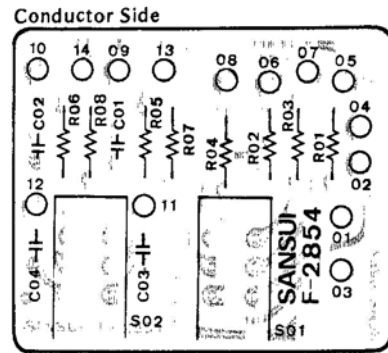
Parts No.	Stock No.	Description
●Diodes		
D 01, 02	0311160	1S2473D
D 03, 04	0311180	1S1588
D 05, 06	0310330	1N60
	0311160	1S2473D
	0311180	1S1588
R 09, 10	0200471	470Ω 1/2W N.I.R.
VR01, 02	1035110	4.7kΩ B Power Meter Adjust Volume
S 01	1131560, 1	High Filter & Subsonic Filter Switch
S 02	1131580, 1	Speaker Switch
	2410590	4P Pin Ass'y Type D
	2410910	2P Pin Ass'y Type E

4-5. F-2980 Power Supply & Driver Circuit Board (Stock No. 7572181)

Conductor Side



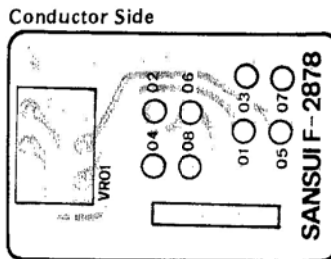
4-10. F-2854 Audio Muting Circuit Board



Parts List

Parts No.	Stock No.	Description
C 01,02	0620471	470pF 50V P.C.
S 01	1131560, 1	Audio Muting Switch

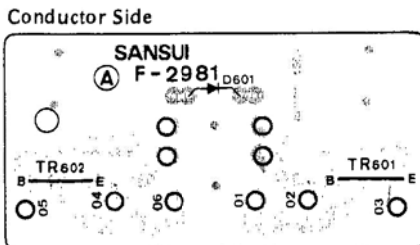
4-12. F-2878 Balance Volume Circuit Board



Parts List

Parts No.	Stock No.	Description
VR01	1015320, 1	250kΩ x 2 Balance Volume

4-14. F-2981 Power Transistor Circuit Board



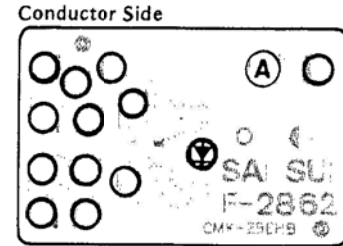
Parts List

Parts No.	Stock No.	Description
*Transistors		
TR601	0301140, 1	2SA1106N LB O, Y
TR602	0306810, 1	2SC2581N LB O, Y
*Diode		
D 601	0340161, 2	STV-3H Y, G

● Abbreviations

C.R. : Carbon Resistor	E.C. : Electrolytic Capacitor
S.R. : Solid Resistor	BP.E.C. : Bi-Polar Electrolytic Capacitor
Ce.R. : Cement Resistor	C.C. : Ceramic Capacitor
M.R. : Metal Film Resistor	Mi.C. : Mica Capacitor
F.R. : Fusing Resistor	O.C. : Oil Capacitor
N.I.R. : Non-Inflammable Resistor	P.C. : Polystyrene Capacitor
M.C. : Mylar Capacitor	T.C. : Tantalum Capacitor

4-11. F-2862 Indicator Circuit Board



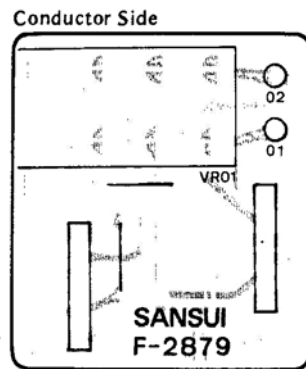
Parts List (Power Indicator Circuit)

Parts No.	Stock No.	Description
LD601	0319050	SG2-13C (Green) LED

Parts List (FM Stereo Indicator Circuit)

Parts No.	Stock No.	Description
LD01	0319060	SG2-12C (Red) LED

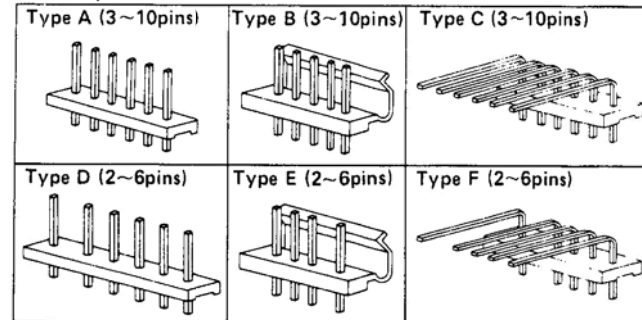
4-13. F-2879 Master Volume Circuit Board



Parts List

Parts No.	Stock No.	Description
VR02	1011160, 1	150kΩ x 2 Volume

● Figures Pin Ass'y



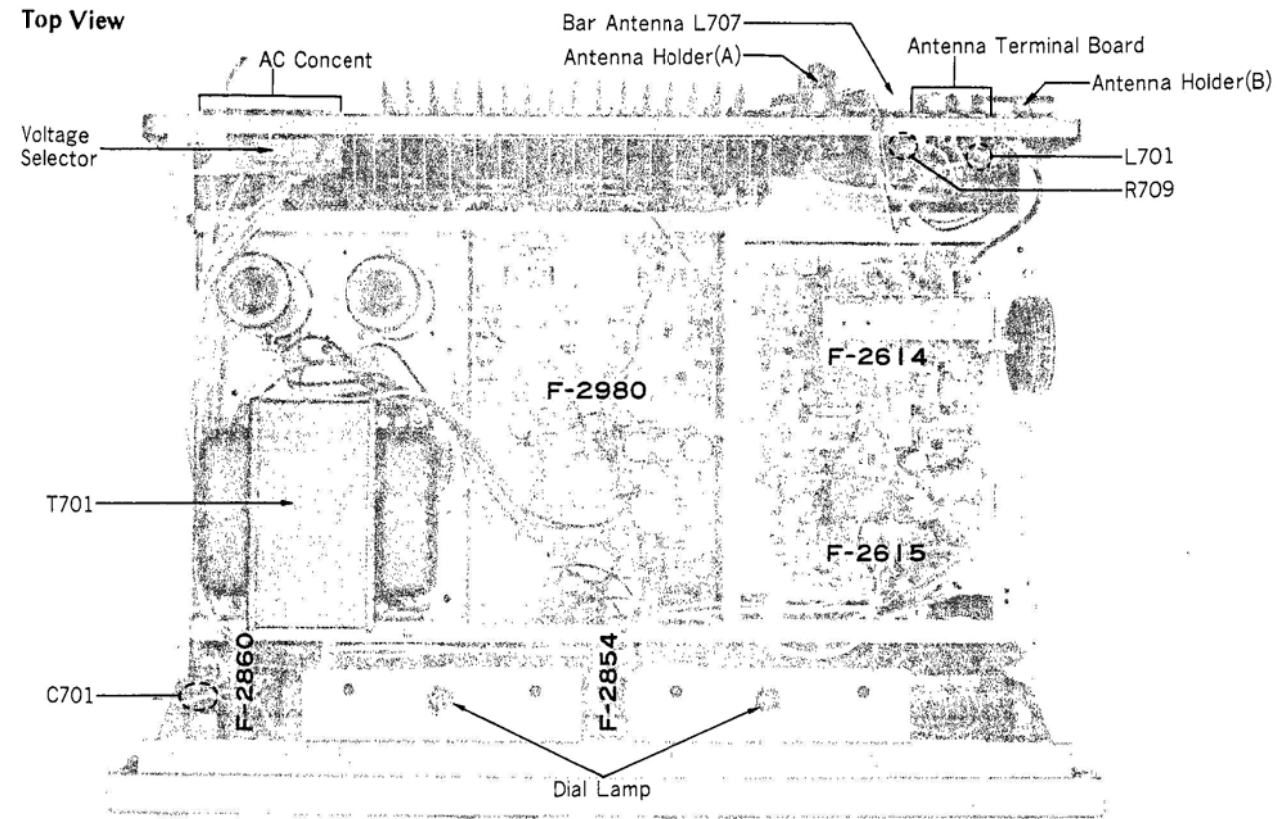
Note: Since stock number of female connectors (type B) with wires are not shown in each parts list of Complete circuit board, please refer to the above parts list when ordering the connector.

Connectors

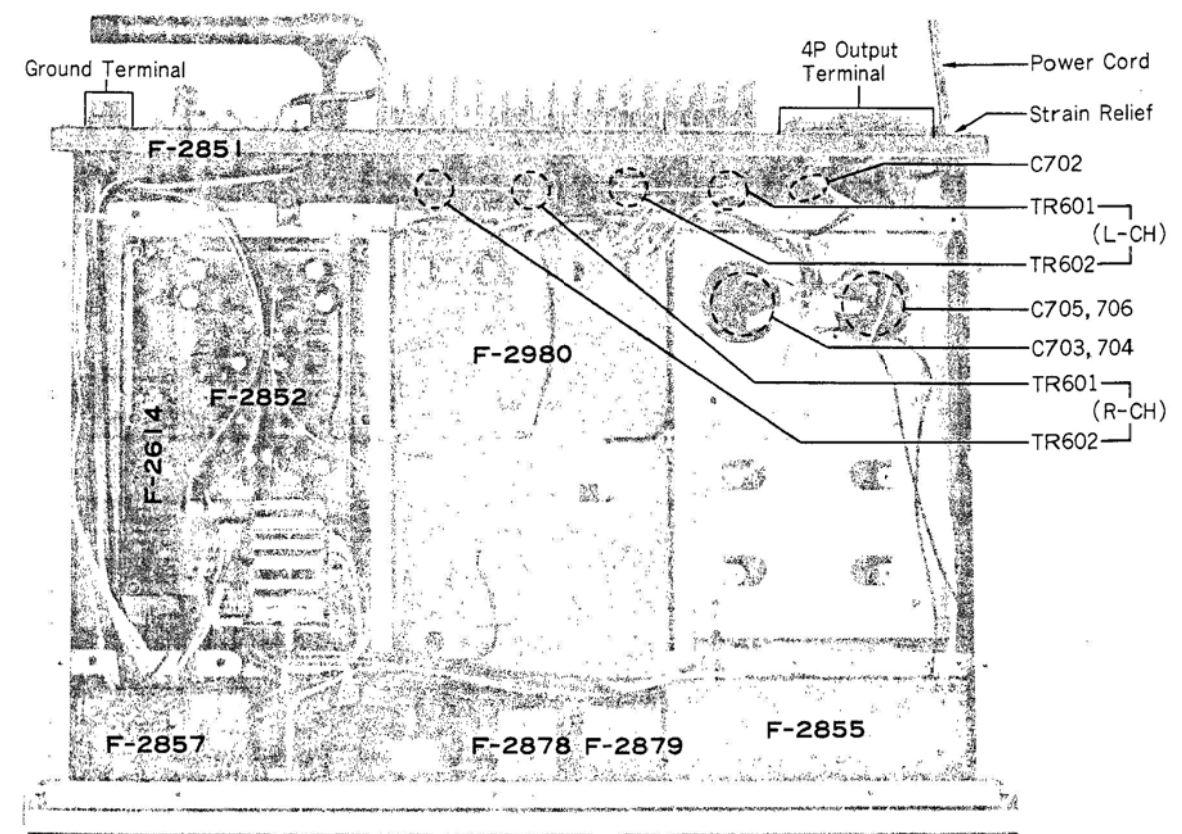
Type A (3~10pins)	Type B (2~6pins)	Stock No.
		2Pins 2420450
		3Pins 2420460
		3Pins (RED) 2420650
		4Pins 2420470
		5Pins 2420480
		6Pins 2420490

5. OTHER PARTS

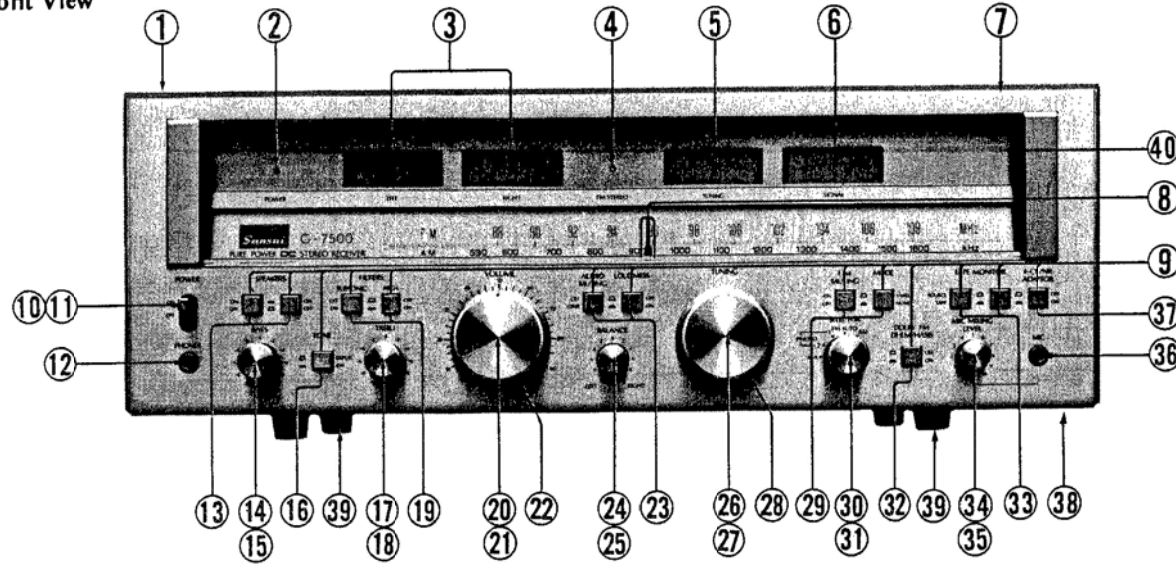
5-1. Top View



5-2. Bottom View



5-3. Front View



Parts List <Front View>

Parts No.	Stock No.	Description	Parts No.	Stock No.	Description	Parts No.	Stock No.	Description
1	5727132	Wood Bonnet	11	5326701	Knob, power switch	26	7036620	Tuning Unit Ass'y
2	0319050	Power Indicator, LED (Green)	12	2430400	Phone Jack	27	5319172	Knob, tuning unit ass'y
3	4301280, 1	Power Meter	13	1131580, 1	Speaker Switch (A) (B)	28	5296194	Grille, tuning unit ass'y
4	0319060	FM STEREO indication, LED (Red)	14	1015360, 1	Bass Volume, 100kΩ x 2 (C)	29	1131600, 1	FM Muting & Mode Switch
5	4301240	Tuning Meter	15	5319091	Knob, bass volume	30	1103590	Selector
6	4301230	Signal Meter	16	1131630, 1	Tone Switch	31	5319101	Knob, selector
7	7008090	Front Panel Ass'y	17	1015360, 1	Treble Volume, 100kΩ x 2 (C)	32	1131620, 1	Dolby FM De-emphasis Switch
	5408301	Front Glass	18	5319091	Knob, treble volume	33	1131610, 1	Tape Monitor Switch (1), (2)
	5048111	Masking Plate	19	1131560, 1	Subsonic & Filter Switch	34	1090270, 1	Mic Mixing Volume
	5395320	Knob Ring	20	1011160, 1	Volume, 150kΩ x 2 (B)	35	5319122	Knob, mic mixing volume
	5280020	Front Panel Retainer	21	5319181	Knob, volume	36	2430400	Mic Jack
	5517270	Masking Packing	22	5296194	Volume Grille	37	1131610, 1	4-CH/NR Adaptor Switch
8	7116090	Dial Pointer Ass'y	23	1131560, 1	Audio Muting & Loudness Switch	38	5058851	Bottom Plate
9	5326690	Push Switch Knob	24	1015320	Balance Volume, 250kΩ x 2 MN	39	5516821	Leg
10	1172000	Power Switch	25	5319122	Knob, balance volume	40	5408590	Dial Glass

Parts List <Top & Bottom View>

Parts No.	Stock No.	Description	Parts No.	Stock No.	Description	Parts No.	Stock No.	Description
●Power Transistors (L-CH)			C 705	0559849	10000μF 71V E.C.	2410830		Voltage Selector Socket
TR 601	0306810, 1	2SC2581N L B O, Y	C 706	0602109	1μF 100V M.C.	2410091		Voltage Selector Plug
TR 602	0301140, 1	2SA1106N L B O, Y	R 701	0119335	3.3MΩ 1/2W S.R.	5286450		Antenna Holder (1) (A)
●Power Transistors (R-CH)			R 709	0103122	1.2kΩ 1/2W C.R.	5286480		Antenna Holder (2) (B)
TR 601	0301140, 1	2SA1106N L B O, Y	L 701	4290021	Antenna Transformer	2210310		Antenna Terminal Board
TR 602	0306810, 1	2SC2581N L B O, Y	L 702	4200830, 1	Bar Antenna	2230190		Ground Terminal
C 701	0605337	0.033μF 250V M.C.	T 701	4002770	Power Transformer	CO 701	2450070	AC Concent
C 702	0659802	0.0047μF 150V C.C.	PL 701, 702	0400650	Dial Lamp, 8V 0.3A	CO 702	2450070	AC Concent
C 703	0602109	1μF 100V M.C.					2290190	4P Output Terminal
C 704	0559849	10000μF 71V E.C.					3800470, 1	Power Cord
							3910490	Strain Relief

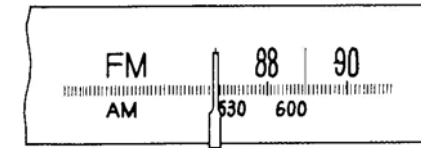
Ⓞ Replacement of Power Transistors Procedure

1. Remove the bonnet.
2. Take the bottom plate off.
3. Loosen for screws then slide rear panel upward.
4. Loosen fixing circuit board F-2981 on the heat sink.
5. Remove power transistor from circuit board F-2981.

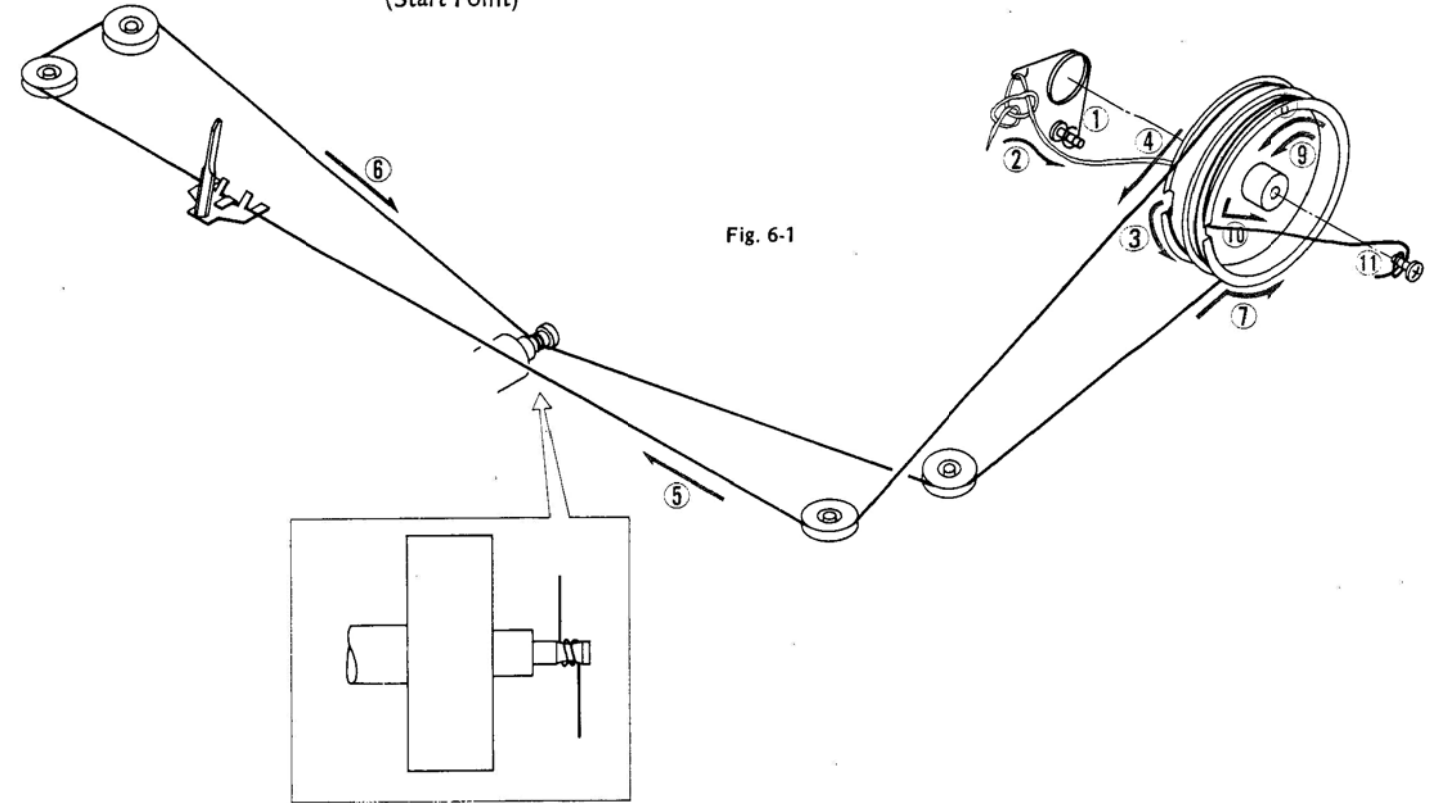
6. THREADING OF DIAL CORD

*If a dial cord is cut off or slips, replace it by following procedures.
As this unit uses 0.5 mmφ cord, please replace it with the same type certainly.
*The length of dial cord is approximately 170cm (66.9 inch),

Fig. 6-2



(Start Point)



Threading of Dial Cord

Thread the dial cord in numerical order from 1 to 11 as Fig. 6-1.
*Close the variable capacitor completely.

Stock No.	Description
6036050	Dial Cord (0.5 mmφ)
6146681	Dial pulley

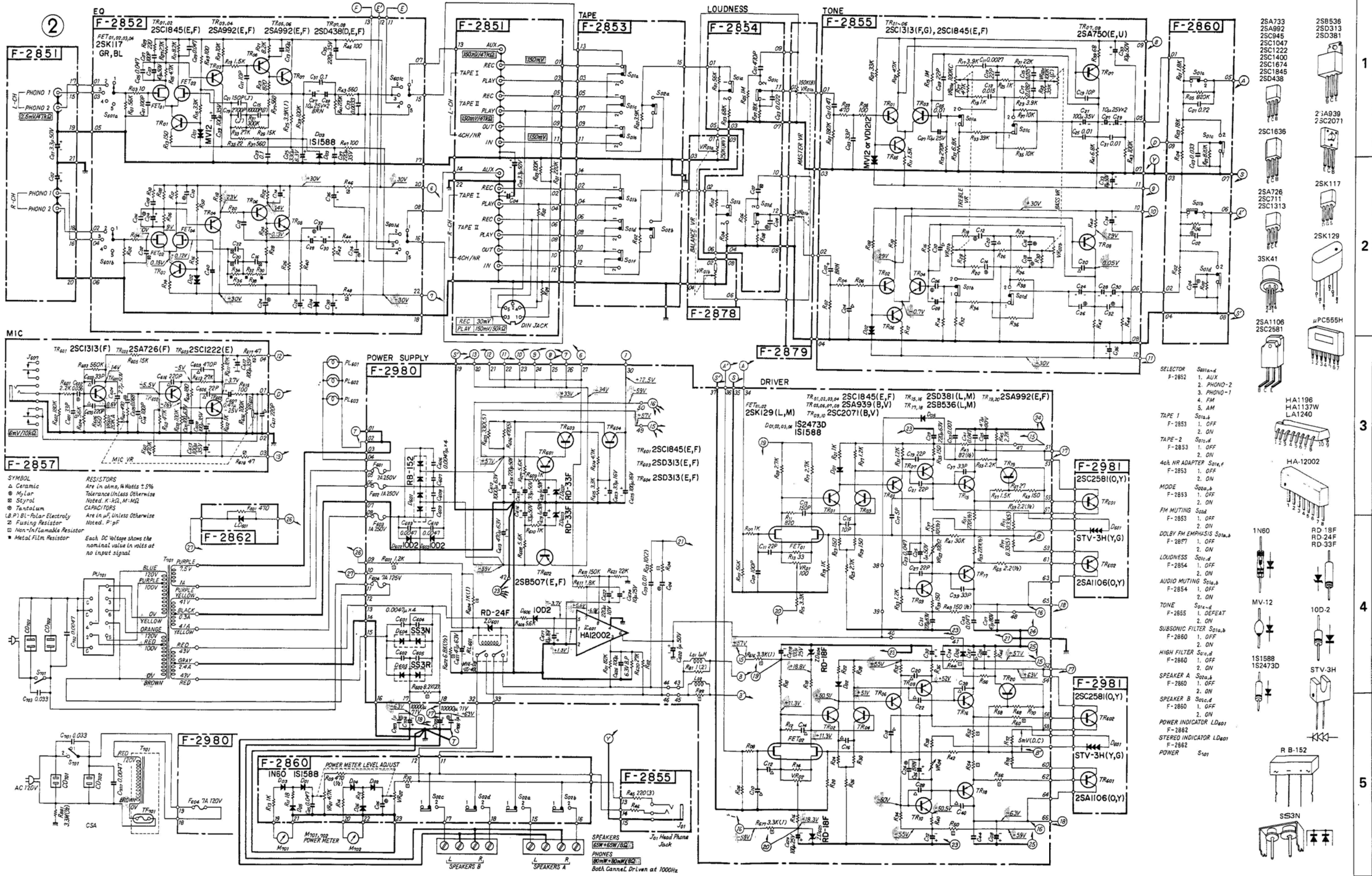
Attachment of Dial Pointer

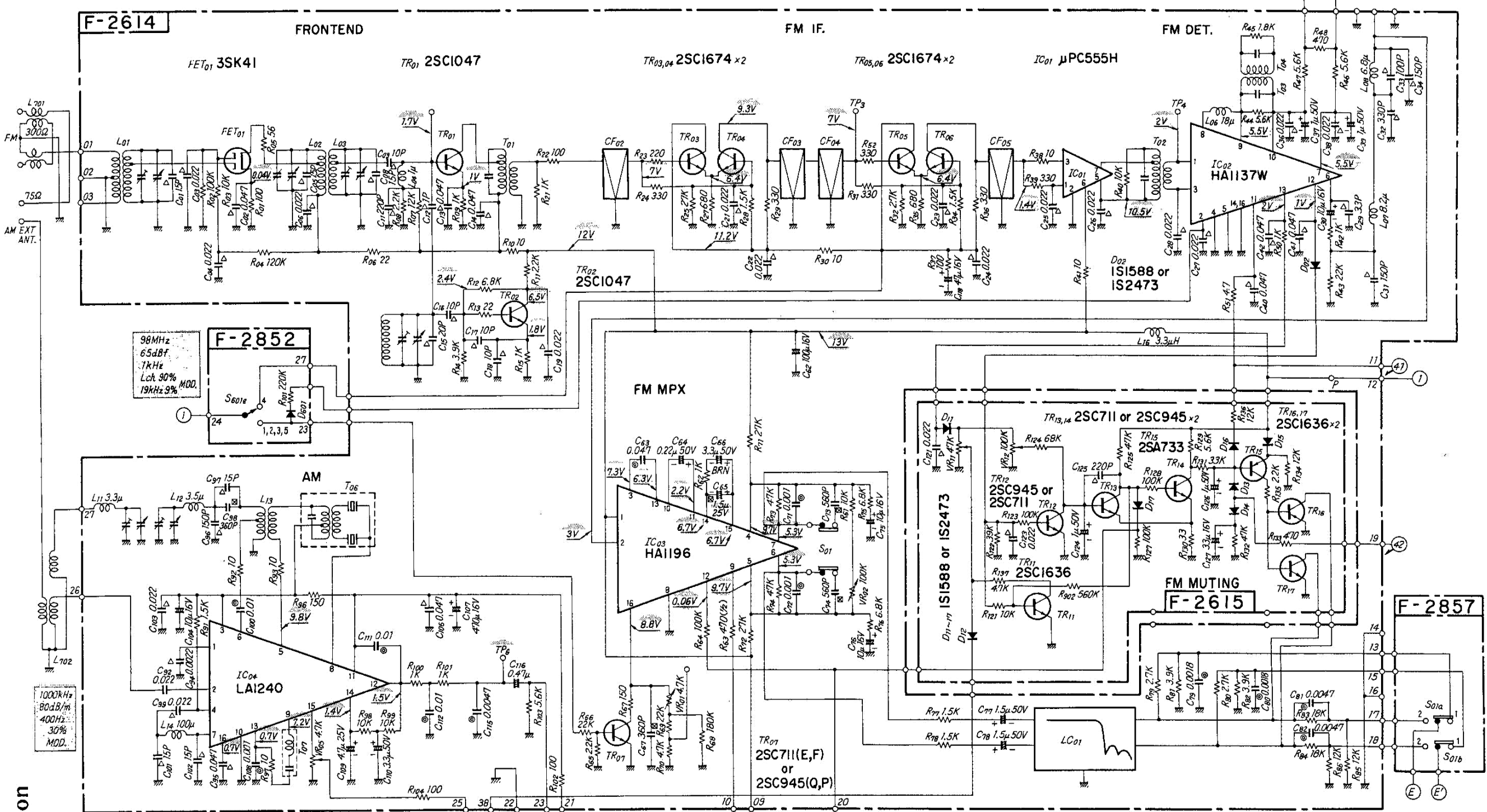
- 1) Close the variable capacitor completely.
- 2) Set the dial pointer to the start point, the line at the left edge of the dial scale. (Fig. 6-2).

*Confirm that the dial pointer runs smoothly on the dial scale by turning the tuning shaft.

* Design and specifications subject to change without notice for improvement.
 * La présentation et les spécifications sont susceptibles d'être modifiées sans préavis par suites d'améliorations éventuelles.
 * Änderungen, die dem technischen Fortschritt dienen, bleiben vorbehalten.

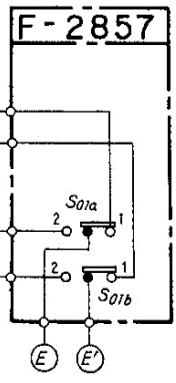
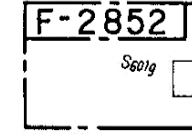
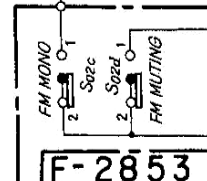
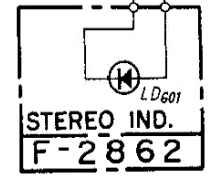
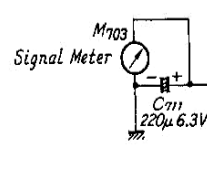
7. SCHEMATIC DIAGRAM 7-1. Audio Section





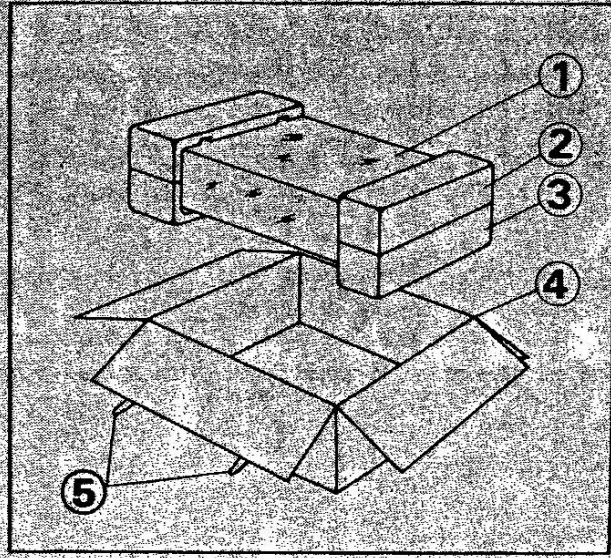
7-2. Tuner Section

A B C D



8. PACKING LIST

Parts No.	Stock No.	Description
1	9116810	Vinyl Cover
2	9028260	Stylofoam Packing (Upper)
3	9028270	Stylofoam Packing (Lower)
4	9001630	Carton Case
5	5996080	Curl Stopper



9. ACCESSORY PARTS LIST

Stock No.	Description
9204420	Operating Instructions
9237900	Schematic Diagram
2410560	Short Pinplug 2 pcs.
3820100	FM Antenna

MEMO



SANSUI ELECTRONICS CORPORATION: 55-11 Queens Blvd. Woodside, N.Y. 11377 U.S.A.
333 West Alondra Blvd. Gardena, California 90247 U.S.A.
3036 Koapaka St. Honolulu, Hawaii 96819 U.S.A.

SANSUI AUDIO EUROPE N.V.: North Trade Bldg (9th floor) Noorderlaan 133-Bus 1, 2030 Antwerp, Belgium
SANSUI AUDIO EUROPE S.A.: Arabella center, 6 Frankfurt AM Main, Lyoner Strasse 44-48, West Germany

SANSUI ELECTRIC COMPANY LTD.: 14-1, Izumi 2-chome, Suginamiku, Tokyo 168 Japan. PHONE: (03) 323-1111/TELEX: 232-2076